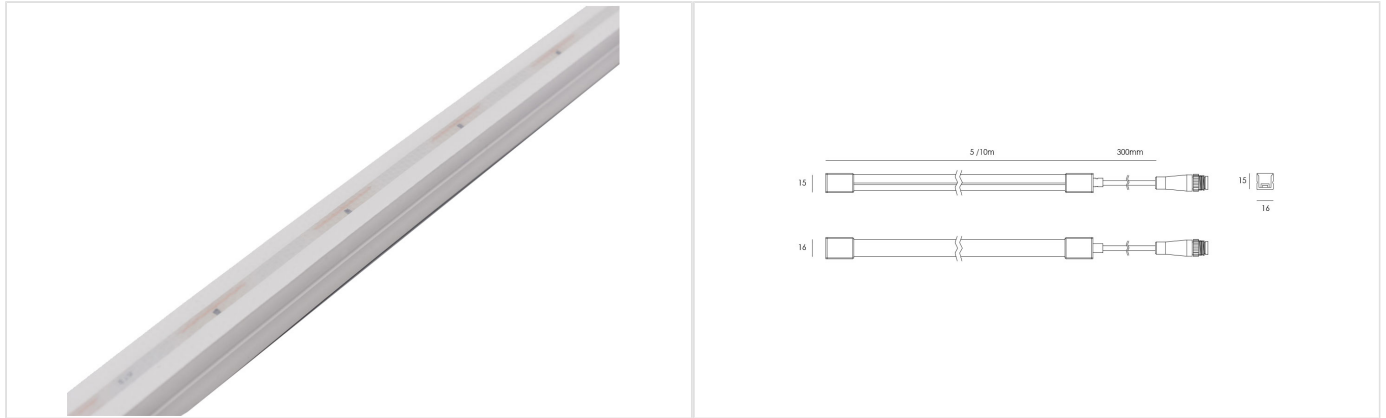


Lumi

P2-NFL-LUM10-01-028701



Neon flex



Description

Lumi is a light flex LED that focuses on bending in the horizontal direction, emits light evenly, High quality and high brightness imported SMD LED chips. It uses highly transparent silicone material to provide excellent resolution and brightness, waterproof is up to IP67, with excellent weather resistance, and 115 degree beam angle. It is ideal for outdoor lighting engineering applications, façade and architectural lighting and also for decorative and contour lighting.

Product Specification

Power	10 w
Voltage	DC 24V
Luminaire luminous flux	500 lm
Efficiency	50 lm/w
CCT	3000 k
CRI	≥80
Beam Angle	115°
Working temperature	-25 to + 60 °C
Life span	50,000 h
IP	67
Dimension	W16 x H15

Electrical Features

Light source	Shanahan, Dare and Schulist Module – SMD
Powered By	

Technical Features

Materials

Housing–Milky white –Silicon

Lighting Distributor

Diffuser–Milky white –Silicon

Installation way

Suspendant

Surface

Adjustability

Not Adjustable

Applications

outdoor

 Your logo

demo
佛山市顺德区

Accessories



GL-0091

Suspend Kit



GL-0514

Aluminum Profile 20.5*17.6*1000mm