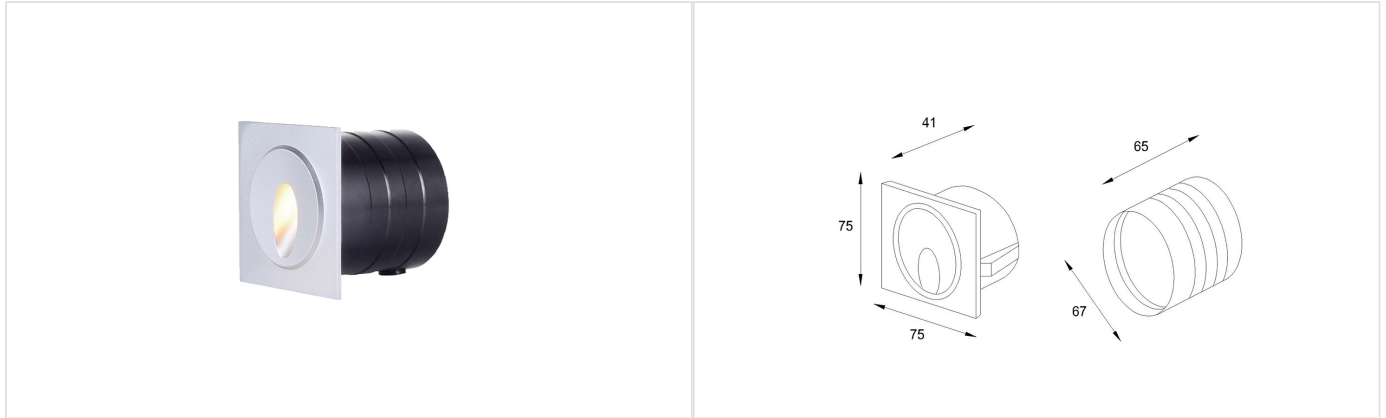


Omega

P2-STP-OME3-02-018211



Recessed wall light



Description

This step light comes in two shapes, round and square to provide the right choice for the designer or customer to light stairs ramps, or apply recessed wall light for decorative purposes, it has a narrow beaming lighting effect which gives your space a very unique and special light effect with silver color finishing as basic color or grey color. This fixture can merge into any architectural design and can blend with almost any wall finishing : paint, tile, plaster, wood or wallpaper. With a wide range of applications .this light can be used for functional lighting purposes or just decorative lighting

Product Specification

Power	3 w
Luminaire luminous flux	110 lm
Efficiency	36.67 lm/w
CCT	3000 k
CRI	≥82
Beam Angle	30°
Working temperature	-20 to + 55 °C
Life span	30,000 h
IP	54
Dimension	W75 x L75 x H41

Electrical Features

Light source	Lueilwitz PLC Module – SMD
Powered By	Crona Ltd

Technical Features

Materials

Housing–Silver –Aluminum	■
Installation sleeve–Black–Plastic	■

Lighting Distributor

Fitting –Silver –Aluminum	■
---------------------------	---

Installation way

Mounted on pole
Recessed

Adjustability

Not Adjustable

Applications

Play Areas, Sport Courts, Outdoor spaces



demo
佛山市顺德区