

# Surface Panel Downlight

PRLA30079-A


YOUR LOGO  
PLACEHOLDER



## LAMDA

This fixture can be used in stores and malls, in addition to villas and luxurious apartments, as it distributes the light in an organized way and gives a nice view.

### Technical data

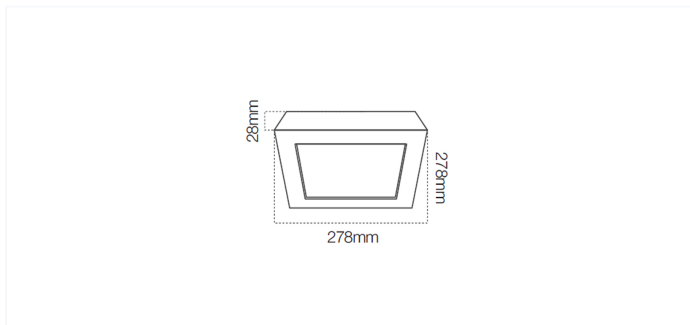
<b>Product Model</b> PRLA30079-A	<b>Power</b> 24 W	<b>CRI</b> 70	<b>Voltage</b> 200-240
<b>Beam Angle</b> 120	<b>Light source</b> LED Integrated	<b>IP</b> 20	<b>Product Category</b> Surface Panel Downlight
<b>Working Temperature</b> -20 C° to +40 C°	<b>Lumen</b> 1620	<b>Color Temperature</b> 3000	<b>Adjustability</b> Not Adjustable
<b>Power Factor</b> 0.5	<b>Frequency</b> 50/60	<b>Installation Way</b> Surface	
<b>Lighting Distributor</b>  Diffuser-semi transparent-PC		<b>Materials</b>  Housing-White-Aluminum	

### Applications

Schools, Hospitals & Clinics, Restaurants, Showrooms, Supermarkets, Hotel, Offices, Government institutions

### Dimension

Square W278 x L278 x H28mm



 Your logo

demo  
佛山市顺德区