

Surface Panel Downlight

PRLA30075-A



YOUR LOGO
PLACEHOLDER



LAMDA

This fixture can be used in stores and malls, in addition to villas and luxurious apartments, as it distributes the light in an organized way and gives a nice view.

Technical data

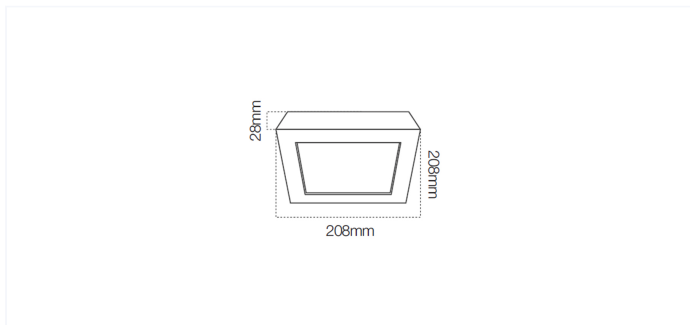
Product Model PRLA30075-A	Power 18 W	CRI 70	Voltage 200-240
Beam Angle 120	Light source LED Integrated	IP 20	Product Category Surface Panel Downlight
Working Temperature -20 C° to +40 C°	Lumen 1215	Color Temperature 3000	Adjustability Not Adjustable
Power Factor 0.5	Frequency 50/60	Installation Way Surface	
Lighting Distributor  Diffuser-semi transparent-PC		Materials  Housing-White-Aluminum	

Applications

Schools, Hospitals & Clinics, Restaurants, Showrooms, Supermarkets, Hotel, Offices, Government institutions

Dimension

Square W208 x L208 x H28mm



 Your logo

demo
佛山市顺德区